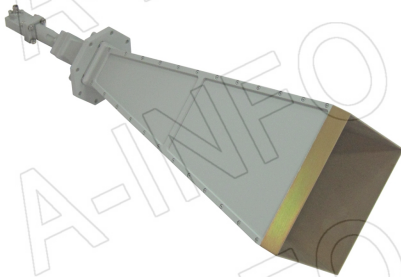


For reference only. See data sheet for the detailed specifications.

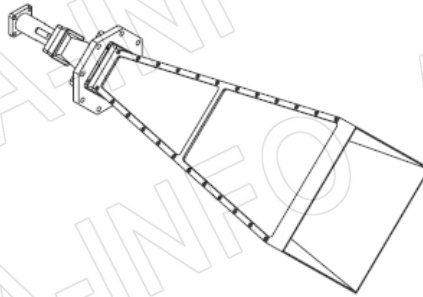
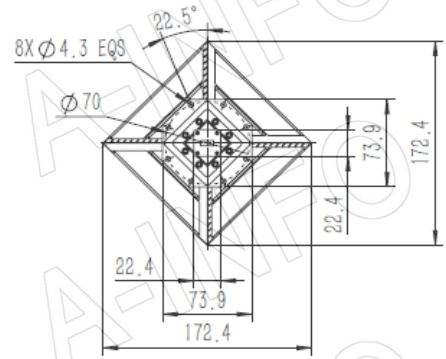
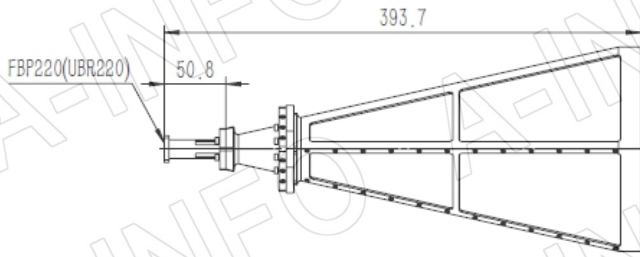
Technical Specification



Frequency Range(GHz)	18.0 - 26.5
Waveguide	WR42
Gain(dBi)	25 Typ.
Polarization	Linear
3dB Beamwidth(deg)	E Plane: 8 Typ.
	H Plane: 8 Typ.
Side Lobe Level(dB)	E Plane: 30 Min.
	H Plane: 35 Min.
Cross Pol. Isolation(dB)	40 Typ.
VSWR	A Type: 1.20:1 Max.
	C Type: 1.50:1 Max.
Output	A Type: FBP220(UBR220)
	C Type: SMA-Female or 2.92mm-Female or 3.5mm-Female
Material	Al
Finish	Gold Plated, Silver Plated and Chemical Conversion Coating, Gray Paint
Size(mm)	A Type: 172.4 x 172.4 x 393.7
	C Type: 172.4 x 172.4 x 428.7
Net Weight(Kg)	A Type: 0.80 Around
	C Type: 0.88 Around

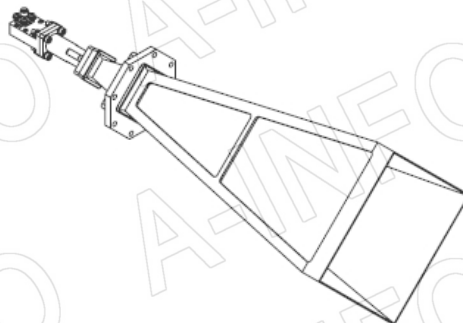
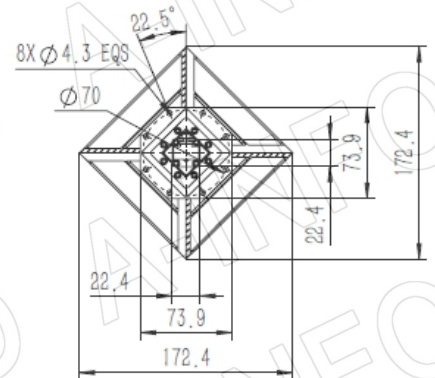
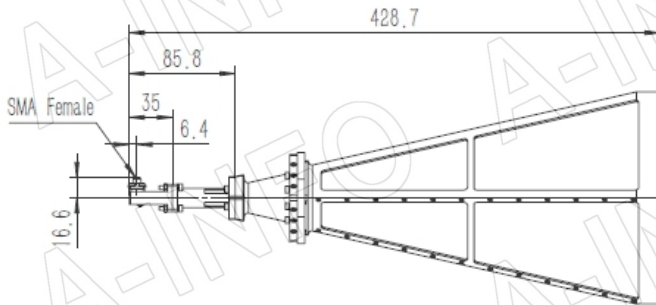
Outline Drawing (Size: mm)

FBP220 Output (P/N: LB-DG-42-25-A)



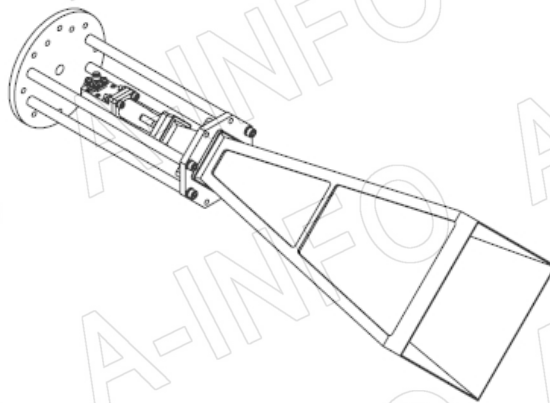
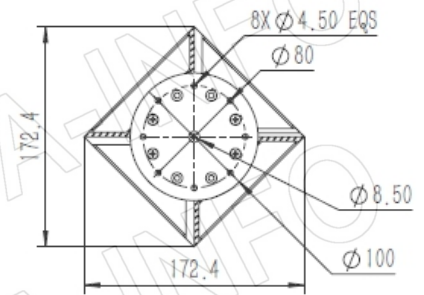
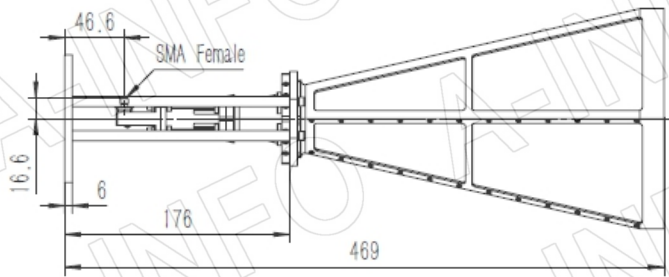
SMA Female Output (P/N: LB-DG-42-25-C-SF)

For 2.92mm-Female or 3.5mm-Female output outline drawing, please contact A-INFO.

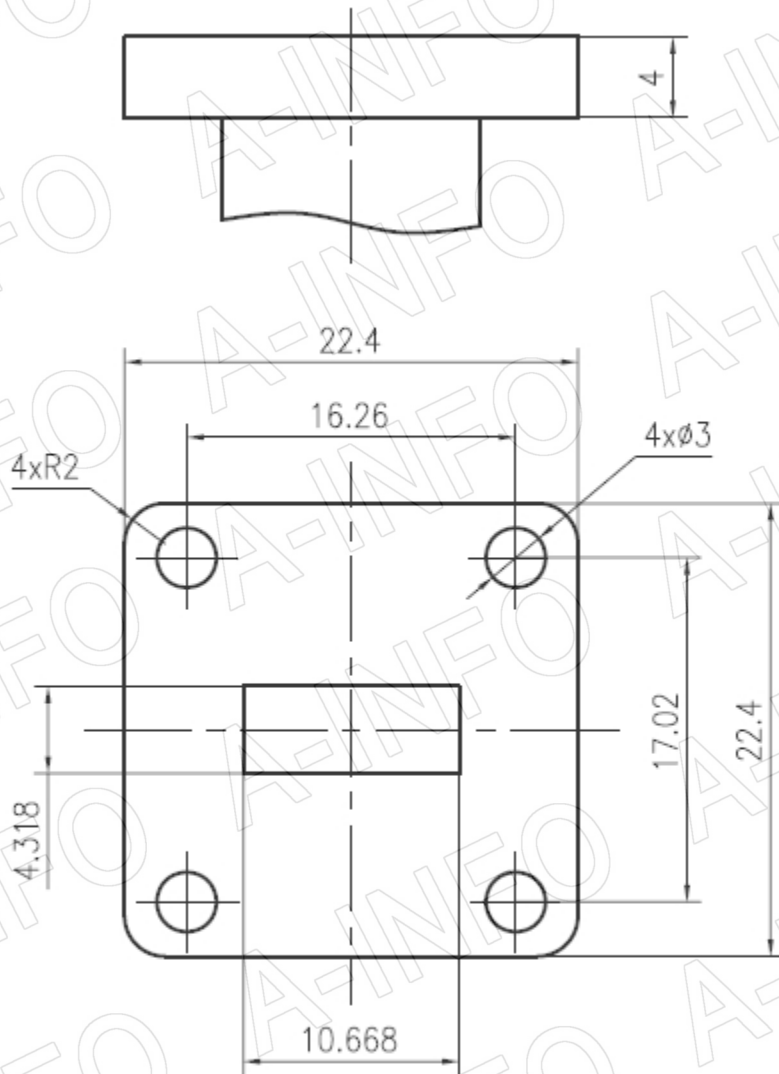


SMA Female Output with Round Mounting Bracket (Option, P/N: LB-DG-42-25-MB)

For 2.92mm-Female or 3.5mm-Female output outline drawing, please contact A-INFO.



Flange Drawing (Size: mm)



FBP220

AINFO Inc.

China(Beijing): Tel: (+86) 10-6266-7326,
 China(Chengdu): Tel: (+86) 28-8519-2786,
 USA : Tel: (+1) 949-639-9688,

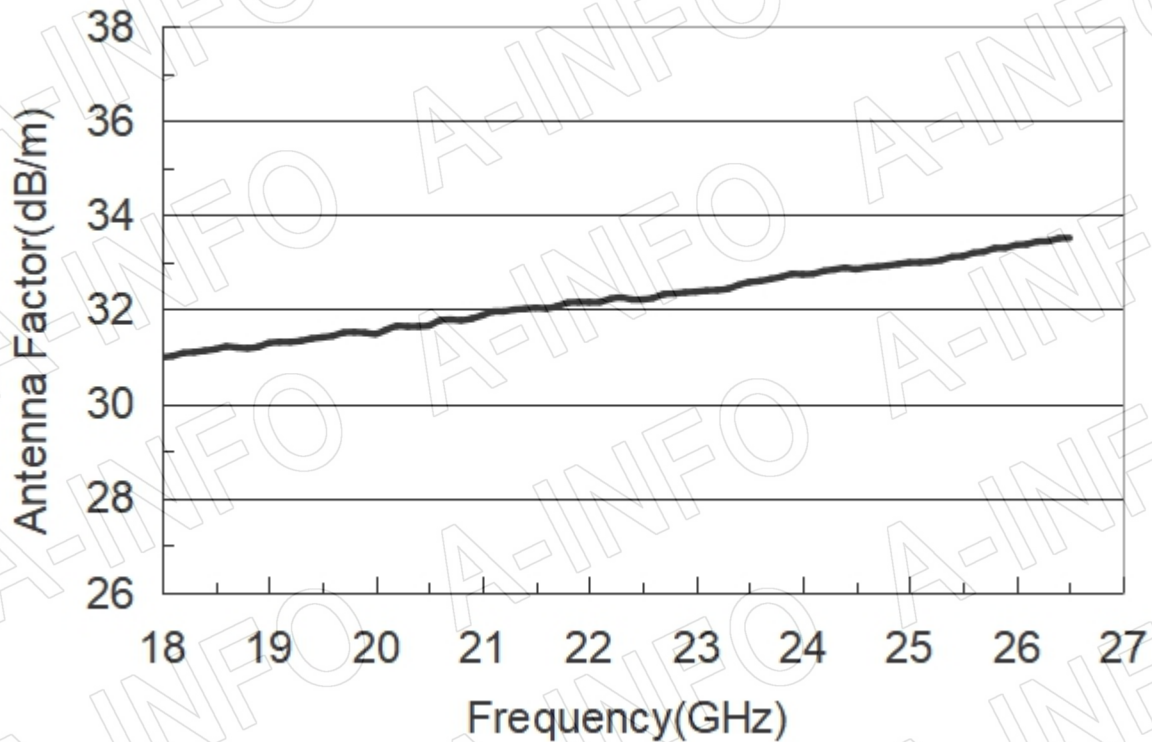
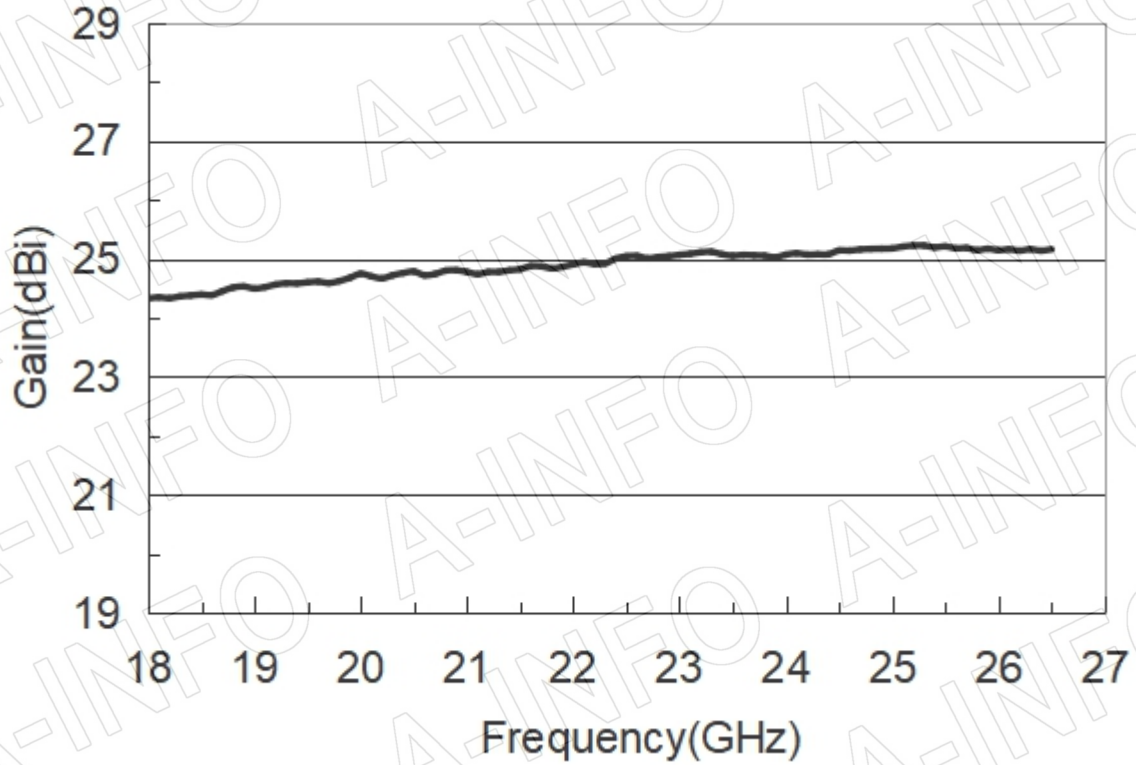
Page 4 of 9

(+86) 10-6266-7327 Fax: (+86) 10-6266-7379
 (+86) 28-8519-3044 Fax: (+86) 28-8519-3068
 (+1) 949-639-9608 Fax: (+1) 949-639-9670

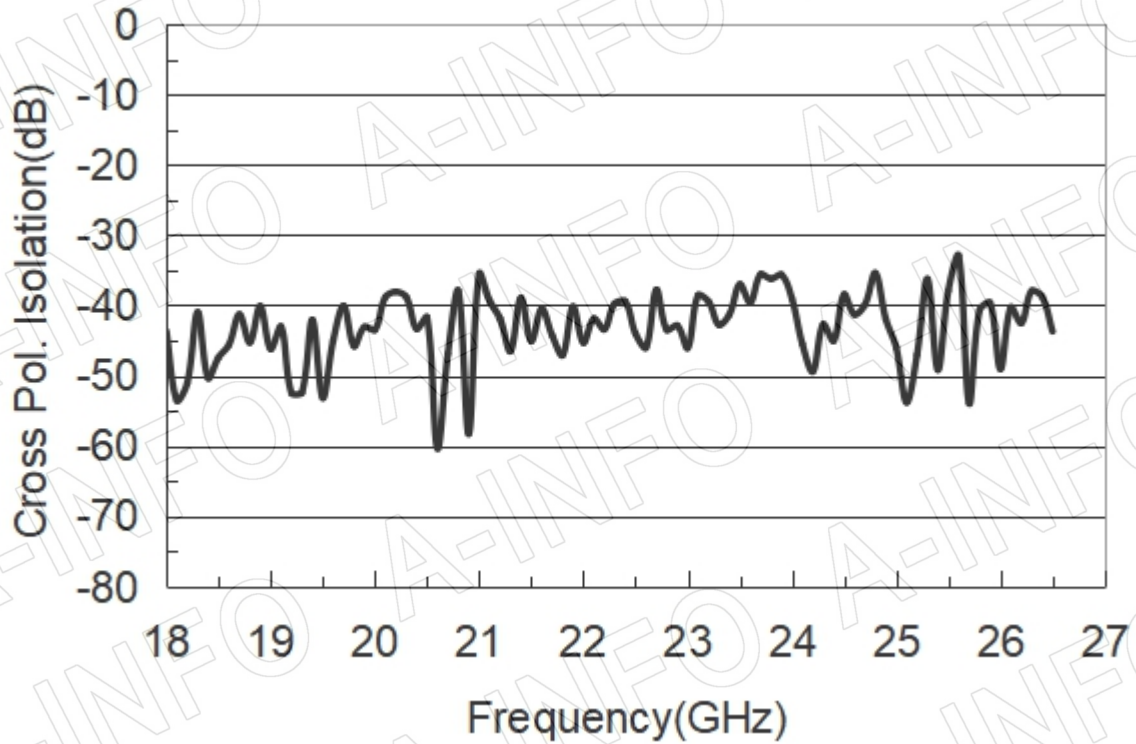
Website: www.ainfoinc.com
 Email: sales@ainfoinc.com

Test Results

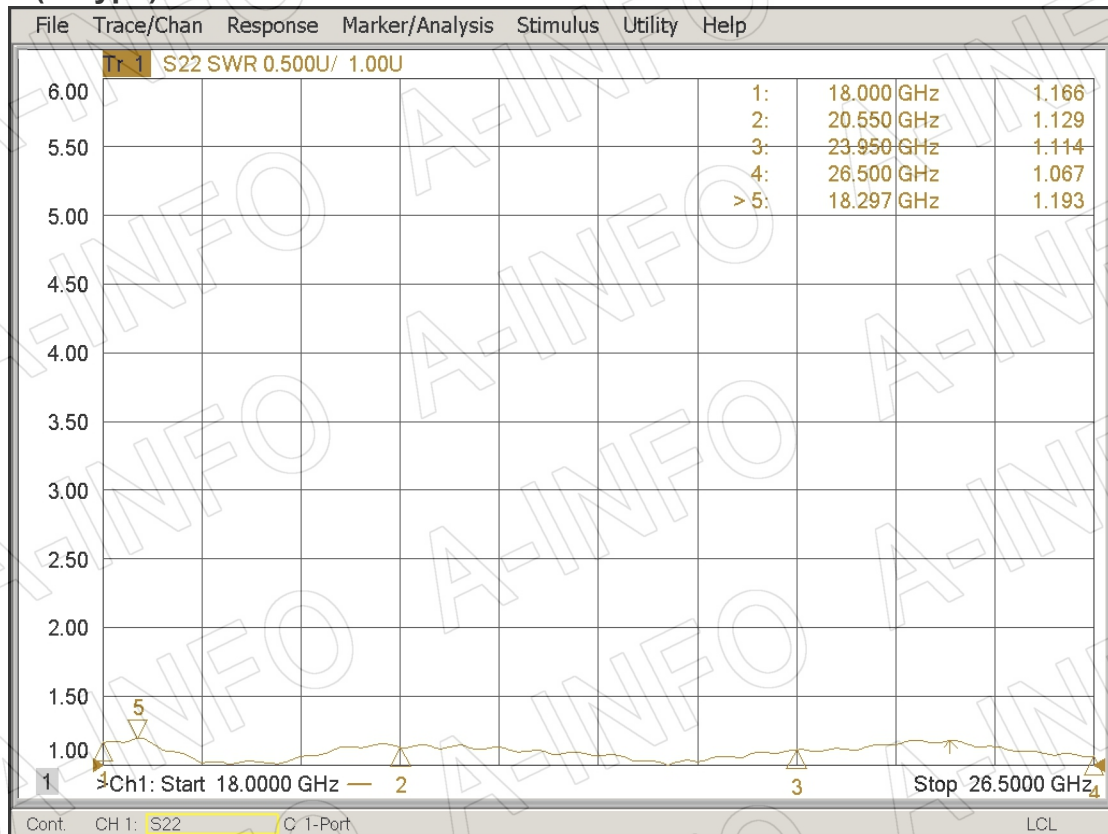
1. Gain and Antenna Factor



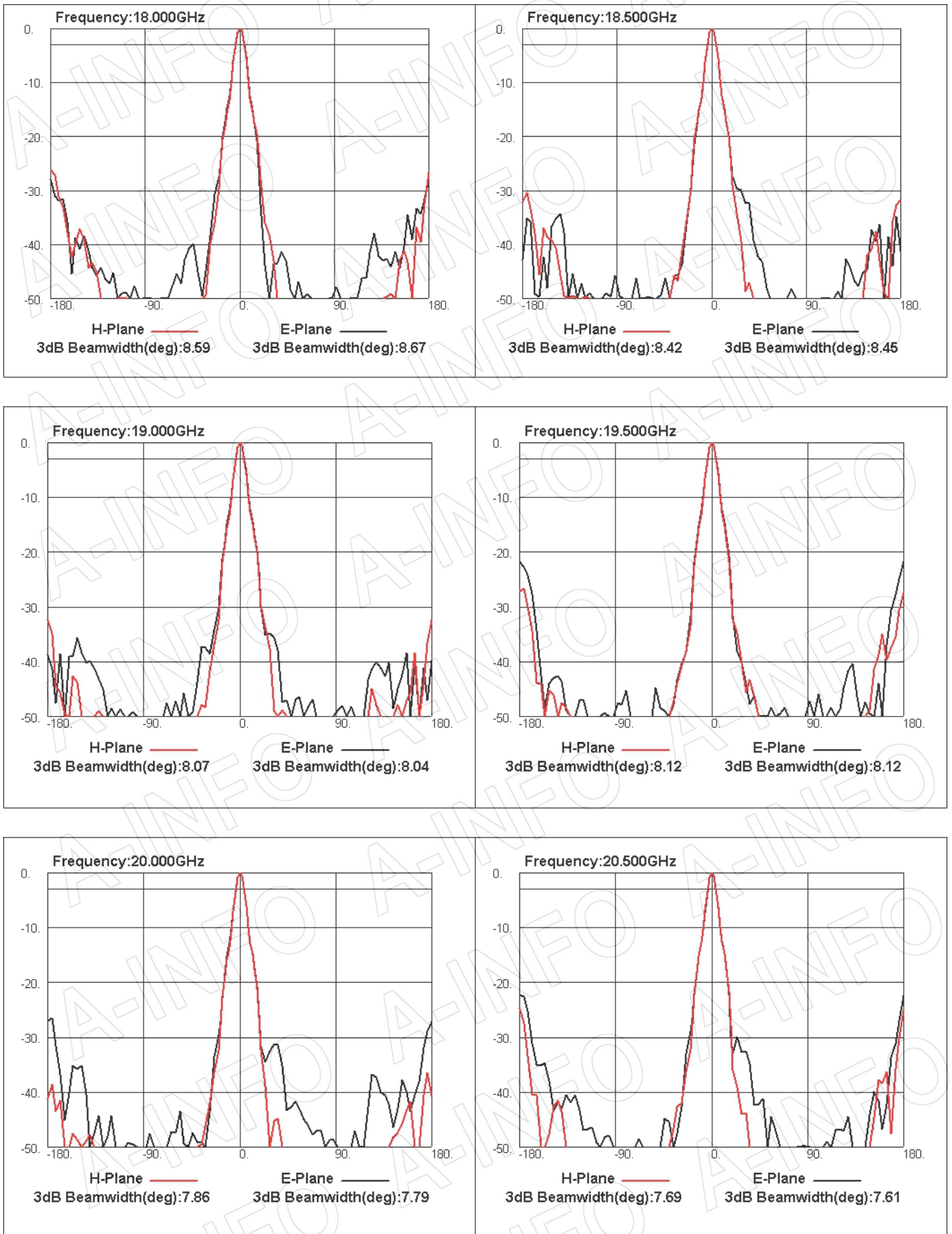
2. Cross Polarization Isolation



3. VSWR(C Type)



4. Pattern



AINFO Inc.

China(Beijing):
China(Chengdu):
USA :

Tel: (+86) 10-6266-7326,
Tel: (+86) 28-8519-2786,
Tel: (+1) 949-639-9688,

(+86) 10-6266-7327
(+86) 28-8519-3044
(+1) 949-639-9608

Page 7 of 9

Fax: (+86) 10-6266-7379
Fax: (+86) 28-8519-3068
Fax: (+1) 949-639-9670

Website: www.ainfoinc.com
Email: sales@ainfoinc.com

